



# TRANSFORMADOR DE CORRIENTE / CURRENT TRANSFORMER

## SERIE / SERIES "TCQ-1" ANSI IEEE C57.13

### CARACTERÍSTICAS / FEATURES

APLICACIONES PARA PROTECCIÓN Y MEDICIÓN DE CORRIENTES / FOR RELAYING AND CURRENT METERING APPLICATIONS  
TIPO DE AISLAMIENTO/ INSULATION TYPE

ABS Ó POLICARBONATO COLOR NEGRO / ABS OR POLYCARBONATE BLACK COLOUR



NORMA DE APLICACIÓN / STANDARD  
CLASE NOMINAL DE AISLAMIENTO / RATED SYSTEM VOLTAGE  
FRECUENCIA / FREQUENCY  
NIVEL BASICO DE IMPULSO/ B.I.L.  
SERVICIO / SERVICE  
CORRIENTE TÉRMICA DE C.C. 1seg. / THERMAL CURRENT RATING 1sec. (lth)  
CORRIENTE DINÁMICA DE C.C. / DYNAMIC CURRENT RATING

ANSI IEEE C57.13  
0.6 & 0.72 kV  
50 - 60Hz  
10kV  
5A  
50 x ln  
2.7 x lth

### CARACTERÍSTICAS TÉCNICAS / TECHNICAL FEATURES

MULTI RELACIÓN (5) TERMINALES / MULTI-RATIO (5) TERMINALS									
NÚMERO DE CATÁLOGO ANTERIOR / PREVIOUS CATALOG NUMBER	NÚMERO DE CATÁLOGO / CATALOG NUMBER	RELACIÓN / RATIO	CLASE PARA PROTECCIÓN / RELAY CLASS	METERING CLASS					FTC / TRF @ 30°C AMB.
				B0.1	B0.2	B0.5	B0.9	B1.8	
TCQ1-600M0	TCQ-600-M145CZBE	600:5 A	C100	0.3	0.3	0.3	0.6	0.6	2.0
TCQ1-1200M0	TCQ-1200-M145DZAE	1200:5 A	C200	0.3	0.3	0.3	0.3	0.3	2.0
TCQ1-2000M0	TCQ-2000-M145DZAE	2000:5 A	C200	0.3	0.3	0.3	0.3	0.3	1.50
TCQ1-3000M0	TCQ-3000-M125DZAE	3000:5 A	C200	0.3	0.3	0.3	0.3	0.3	1.33
TCQ1-4000M0	TCQ-4000-M165DZAE	4000:5 A	C200	0.3	0.3	0.3	0.3	0.3	1.0

RELACIÓN SENCILLA (2) TERMINALES / SINGLE-RATIO (2) TERMINALS									
NÚMERO DE CATÁLOGO ANTERIOR / PREVIOUS CATALOG NUMBER	NÚMERO DE CATÁLOGO / CATALOG NUMBER	RELACIÓN / RATIO	CLASE PARA PROTECCIÓN / RELAY CLASS	METERING CLASS					FTC / TRF @ 30°C AMB.
				B0.1	B0.2	B0.5	B0.9	B1.8	
TCQ1-25S0	TCQ-25-S145ZEA	25:5 A		4.8					2.0
TCQ1-50S0	TCQ-50-S145ZEA	50:5 A		4.8					2.0
TCQ1-75S0	TCQ-75-S145ZDB	75:5 A	C10	1.2	2.4				2.0
TCQ1-100S0	TCQ-100-S145ZDB	100:5 A	C10	1.2	2.4				2.0
TCQ1-150S0	TCQ-150-S145ZCB	150:5 A	C20	0.6	1.2				2.0
TCQ1-200S0	TCQ-200-S145ZDC	200:5 A	C20	0.6	1.2	2.4			2.0
TCQ1-250S0	TCQ-250-S145ZDD	250:5 A	C20	0.6	0.6	1.2	2.4		2.0
	TCQ-300-S145ZDD	300:5 A	C20	0.6	0.6	1.2	2.4		2.0
TCQ1-300S0	TCQ-300-S145ZDE	300:5 A	C50	0.3	0.6	1.2	1.2	2.4	2.0
TCQ1-400S0	TCQ-400-S145ZCE	400:5 A	C50	0.3	0.3	0.6	1.2	1.2	2.0
TCQ1-500S0	TCQ-500-S145ZCE	500:5 A	C50	0.3	0.3	0.6	0.6	1.2	2.0
TCQ1-600S0	TCQ-600-S145CZBE	600:5 A	C100	0.3	0.3	0.3	0.6	0.6	2.0
TCQ1-750S0	TCQ-750-S145CZBE	750:5 A	C100	0.3	0.3	0.3	0.3	0.6	2.0
TCQ1-800S0	TCQ-800-S145CZBE	800:5 A	C100	0.3	0.3	0.3	0.3	0.6	2.0
TCQ1-1000S0	TCQ-1000-S145CZAE	1000:5 A	C100	0.3	0.3	0.3	0.3	0.3	2.0
TCQ1-1200S0	TCQ-1200-S145DZAE	1200:5 A	C200	0.3	0.3	0.3	0.3	0.3	2.0
TCQ1-1500S0	TCQ-1500-S135DZAE	1500:5 A	C200	0.3	0.3	0.3	0.3	0.3	1.5
TCQ1-1600S0	TCQ-1600-S135DZAE	1600:5 A	C200	0.3	0.3	0.3	0.3	0.3	1.5
TCQ1-2000S0	TCQ-2000-S135DZAE	2000:5 A	C200	0.3	0.3	0.3	0.3	0.3	1.5
TCQ1-1200S0	TCQ-2500-S125DZAE	2500:5 A	C200	0.3	0.3	0.3	0.3	0.3	1.33
TCQ1-1500S0	TCQ-3000-S125DZAE	3000:5 A	C200	0.3	0.3	0.3	0.3	0.3	1.33
TCQ1-1600S0	TCQ-4000-S165DZAE	4000:5 A	C200	0.3	0.3	0.3	0.3	0.3	1.0
TCQ1-2000S0	TCQ-5000-S165DZAE	5000:5 A	C200	0.3	0.3	0.3	0.3	0.3	1.0

NOTA: ESTAS DIMENSIONES PUEDEN TENER VARIACIONES DE ± 2mm.  
NOTE: THESE DIMENSIONS COULD HAVE VARIATIONS OF ± 2mm.

EQUIPOS ELECTRICOS CORE SE RESERVA EL DERECHO DE MODIFICAR ESTA INFORMACION SIN PREVIO AVISO.  
EQUIPOS ELECTRICOS CORE RESERVES THE RIGHT OF MODIFYING THIS INFORMATION WITHOUT A PREVIOUS NOTIFICATION



# TRANSFORMADOR DE CORRIENTE / CURRENT TRANSFORMER

SERIE / SERIES "TCQ-1" ANSI IEEE C57.13

DIMENSIONES in [mm] / DIMENSIONS in [mm]

MULTI RELACIÓN / MULTI-RATIO

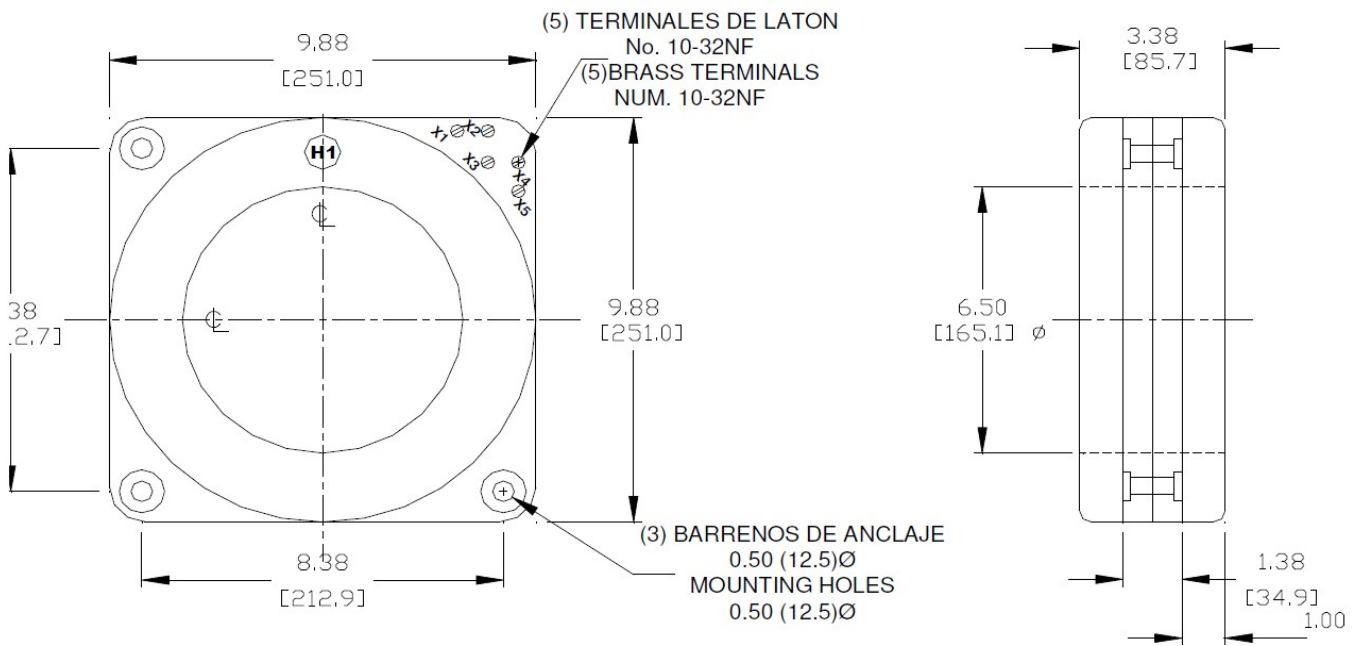


DIAGRAMA DE CONEXIÓN ELÉCTRICA / ELECTRIC CONNECTION DIAGRAM

CONEXIONES DE MULTI-RELACIÓN / MULTI-RATIO CONNECTIONS	CONEXIONES DE RELACIÓN-SENCILLA / SINGLE-RATIO CONNECTIONS																																																																																																																																													
<table style="margin-left: auto; margin-right: auto;"> <tr><th>TURNES</th><th>X1</th><th>X2</th><th>X3</th><th>X4</th><th>X5</th><th>RATIO</th></tr> <tr><td></td><td>20</td><td>10</td><td>50</td><td>40</td><td></td><td>600: 5A</td></tr> <tr><td></td><td>40</td><td>20</td><td>100</td><td>80</td><td></td><td>1200: 5A</td></tr> <tr><td></td><td>80</td><td>160</td><td>60</td><td>100</td><td></td><td>2000: 5A</td></tr> <tr><td></td><td>200</td><td>240</td><td>60</td><td>100</td><td></td><td>3000: 5A</td></tr> <tr><td></td><td>100</td><td>300</td><td>200</td><td>200</td><td></td><td>4000: 5A</td></tr> <tr><td></td><td>300</td><td>100</td><td>400</td><td>200</td><td></td><td>5000: 5A</td></tr> </table>	TURNES	X1	X2	X3	X4	X5	RATIO		20	10	50	40		600: 5A		40	20	100	80		1200: 5A		80	160	60	100		2000: 5A		200	240	60	100		3000: 5A		100	300	200	200		4000: 5A		300	100	400	200		5000: 5A	<table style="margin-left: auto; margin-right: auto;"> <tr><th>TURNES</th><th>X1</th><th>X2</th><th>RATIO</th></tr> <tr><td></td><td>5</td><td></td><td>25: 5A</td></tr> <tr><td></td><td>10</td><td></td><td>50: 5A</td></tr> <tr><td></td><td>15</td><td></td><td>75: 5A</td></tr> <tr><td></td><td>20</td><td></td><td>100: 5A</td></tr> <tr><td></td><td>30</td><td></td><td>150: 5A</td></tr> <tr><td></td><td>40</td><td></td><td>200: 5A</td></tr> <tr><td></td><td>50</td><td></td><td>250: 5A</td></tr> <tr><td></td><td>60</td><td></td><td>300: 5A</td></tr> <tr><td></td><td>80</td><td></td><td>400: 5A</td></tr> <tr><td></td><td>100</td><td></td><td>500: 5A</td></tr> <tr><td></td><td>120</td><td></td><td>600: 5A</td></tr> <tr><td></td><td>150</td><td></td><td>750: 5A</td></tr> <tr><td></td><td>160</td><td></td><td>800: 5A</td></tr> <tr><td></td><td>200</td><td></td><td>1000: 5A</td></tr> <tr><td></td><td>240</td><td></td><td>1200: 5A</td></tr> <tr><td></td><td>300</td><td></td><td>1500: 5A</td></tr> <tr><td></td><td>320</td><td></td><td>1600: 5A</td></tr> <tr><td></td><td>400</td><td></td><td>2000: 5A</td></tr> <tr><td></td><td>500</td><td></td><td>2500: 5A</td></tr> <tr><td></td><td>600</td><td></td><td>3000: 5A</td></tr> <tr><td></td><td>800</td><td></td><td>4000: 5A</td></tr> <tr><td></td><td>1000</td><td></td><td>5000: 5A</td></tr> </table>	TURNES	X1	X2	RATIO		5		25: 5A		10		50: 5A		15		75: 5A		20		100: 5A		30		150: 5A		40		200: 5A		50		250: 5A		60		300: 5A		80		400: 5A		100		500: 5A		120		600: 5A		150		750: 5A		160		800: 5A		200		1000: 5A		240		1200: 5A		300		1500: 5A		320		1600: 5A		400		2000: 5A		500		2500: 5A		600		3000: 5A		800		4000: 5A		1000		5000: 5A
TURNES	X1	X2	X3	X4	X5	RATIO																																																																																																																																								
	20	10	50	40		600: 5A																																																																																																																																								
	40	20	100	80		1200: 5A																																																																																																																																								
	80	160	60	100		2000: 5A																																																																																																																																								
	200	240	60	100		3000: 5A																																																																																																																																								
	100	300	200	200		4000: 5A																																																																																																																																								
	300	100	400	200		5000: 5A																																																																																																																																								
TURNES	X1	X2	RATIO																																																																																																																																											
	5		25: 5A																																																																																																																																											
	10		50: 5A																																																																																																																																											
	15		75: 5A																																																																																																																																											
	20		100: 5A																																																																																																																																											
	30		150: 5A																																																																																																																																											
	40		200: 5A																																																																																																																																											
	50		250: 5A																																																																																																																																											
	60		300: 5A																																																																																																																																											
	80		400: 5A																																																																																																																																											
	100		500: 5A																																																																																																																																											
	120		600: 5A																																																																																																																																											
	150		750: 5A																																																																																																																																											
	160		800: 5A																																																																																																																																											
	200		1000: 5A																																																																																																																																											
	240		1200: 5A																																																																																																																																											
	300		1500: 5A																																																																																																																																											
	320		1600: 5A																																																																																																																																											
	400		2000: 5A																																																																																																																																											
	500		2500: 5A																																																																																																																																											
	600		3000: 5A																																																																																																																																											
	800		4000: 5A																																																																																																																																											
	1000		5000: 5A																																																																																																																																											

NOTA: ESTAS DIMENSIONES PUEDEN TENER VARIACIONES DE ± 2mm.  
 NOTE: THESE DIMENSIONS COULD HAVE VARIATIONS OF ± 2mm.  
 EQUIPOS ELECTRICOS CORE SE RESERVA EL DERECHO DE MODIFICAR ESTA INFORMACION SIN PREVIO AVISO.  
 EQUIPOS ELECTRICOS CORE RESERVES THE RIGHT OF MODIFYING THIS INFORMATION WITHOUT A PREVIOUS NOTIFICATION  
 JULIO 2019 REV. 2. PIT-0