



TRANSFORMADORE DE CORRIENTE / CURRENT TRANSFORMER

SERIE / SERIES "TCD-1" IEC-61869-2

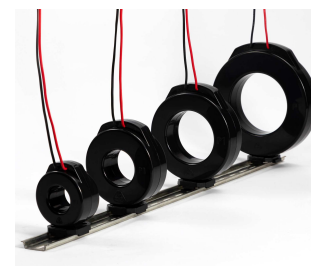
CARACTERISTICAS / FEATURES

APLICACIONES PARA PROTECCIÓN Y MEDICION DE CORRIENTES / FOR RELAYING AND CURRENT METERING APPLICATIONS
 TIPO DE AISLAMIENTO/ INSULATION TYPE

NORMA DE APLICACIÓN / STANDARD
 CLASE NOMINAL DE AISLAMIENTO / RATED SYSTEM VOLTAGE
 FRECUENCIA / FREQUENCY
 NIVEL BASICO DE IMPULSO/ B.I.L.
 SERVICIO / SERVICE
 CORRIENTE TÉRMICA DE C.C. 1seg. / THERMAL CURRENT RATING 1sec. (Ith)
 CORRIENTE DINÁMICA DE C.C. / DYNAMIC CURRENT RATING

ABS COLOR NEGRO UL.No.E121562
 ABS BLACK COLOUR, UL FILE; E121562

IEC-61869-2
 0.72kV
 50 - 60Hz
 10kV
 5A
 50 x In
 2.5xIth



RELACIÓN SENCILLA / SINGLE RATIO

RELACIÓN SENCILLA 2 TERMINALES / SINGLE RATIO 2 TERMINALS IEC 61869-2							
MODELO ANTERIOR	MODELO ACTUAL	RELACIÓN/ RATIO	IEC-MEDICIÓN / METERING CLASS	DIMENSIONES / DIMENSIONS mm(In)			
				ØA	ØB	C	D
TCD10-30S0	TCD-30-S015ZZJS	30:5	5% 1VA	1.05 (26.67)	2.43 (61.95)	1.20 (30.70)	2.93 (74.65)
TCD10-50S0	TCD-50-S015ZZIH	50:5	3% 2.5VA	1.05 (26.67)	2.43 (61.95)	1.20 (30.70)	2.93 (74.65)
TCD10-60S0	TCD-60-S015ZZIH	60:5	3% 2.5VA	1.05 (26.67)	2.43 (61.95)	1.20 (30.70)	2.93 (74.65)
TCD10-75S0	TCD-75-S015ZZIH	75:5	3% 2.5VA	1.05 (26.67)	2.43 (61.95)	1.20 (30.70)	2.93 (74.65)
TCD10-100S0	TCD-100-S015ZZHH	100:5	1% 2.5VA	1.05 (26.67)	2.43 (61.95)	1.20 (30.70)	2.93 (74.65)
TCD10-150S0	TCD-150-S015ZZHH	150:5	1% 2.5VA	1.05 (26.67)	2.43 (61.95)	1.20 (30.70)	2.93 (74.65)
TCD10-200S0	TCD-200-S015ZZHH	200:5	1% 2.5VA	1.05 (26.67)	2.43 (61.95)	1.20 (30.70)	2.93 (74.65)
TCD10-250S0	TCD-250-S015ZZHI	250:5	1% 5.0VA	1.05 (26.67)	2.43 (61.95)	1.20 (30.70)	2.93 (74.65)
TCD10-300S0	TCD-300-S015ZZHI	300:5	1% 5.0VA	1.05 (26.67)	2.43 (61.95)	1.20 (30.70)	2.93 (74.65)
TCD10-400S0	TCD-400-S015ZZHI	400:5	1% 5.0VA	1.05 (26.67)	2.43 (61.95)	1.20 (30.70)	2.93 (74.65)

TCD11-30S0	TCD-30-S115ZZJS	30:5	5% 1.0VA	1.56 (39.62)	3.56 (90.42)	1.20 (30.70)	4.05 (102.94)
TCD11-50S0	TCD-50-S115ZZIH	50:5	3% 2.5VA	1.56 (39.62)	3.56 (90.42)	1.20 (30.70)	4.05 (102.94)
TCD11-75S0	TCD-75-S115ZZIH	75:5	3% 2.5VA	1.56 (39.62)	3.56 (90.42)	1.20 (30.70)	4.05 (102.94)
TCD11-100S0	TCD-100-S115ZZHH	100:5	1% 2.5VA	1.56 (39.62)	3.56 (90.42)	1.20 (30.70)	4.05 (102.94)
TCD11-150S0	TCD-150-S115ZZHH	150:5	1% 2.5VA	1.56 (39.62)	3.56 (90.42)	1.20 (30.70)	4.05 (102.94)
TCD11-200S0	TCD-200-S115ZZHH	200:5	1% 2.5VA	1.56 (39.62)	3.56 (90.42)	1.20 (30.70)	4.05 (102.94)
TCD11-250S0	TCD-250-S115ZZHI	250:5	1% 5.0VA	1.56 (39.62)	3.56 (90.42)	1.20 (30.70)	4.05 (102.94)
TCD11-300S0	TCD-300-S115ZZHI	300:5	1% 5.0VA	1.56 (39.62)	3.56 (90.42)	1.20 (30.70)	4.05 (102.94)
TCD11-400S0	TCD-400-S115ZZHI	400:5	1% 5.0VA	1.56 (39.62)	3.56 (90.42)	1.20 (30.70)	4.05 (102.94)
TCD11-500S0	TCD-500-S115ZZHI	500:5	1% 5.0VA	1.56 (39.62)	3.56 (90.42)	1.20 (30.70)	4.05 (102.94)
TCD11-600S0	TCD-600-S115ZZHK	600:5	1% 12.5VA	1.56 (39.62)	3.56 (90.42)	1.20 (30.70)	4.05 (102.94)
TCD11-750S0	TCD-750-S115ZZHK	750:5	1% 12.5VA	1.56 (39.62)	3.56 (90.42)	1.20 (30.70)	4.05 (102.94)
TCD11-800S0	TCD-800-S115ZZHN	800:5	1% 25.0VA	1.56 (39.62)	3.56 (90.42)	1.20 (30.70)	4.05 (102.94)
TCD11-1000S0	TCD-1000-S115ZZGN	1000:5	0.5% 25.0VA	1.56 (39.62)	3.56 (90.42)	1.20 (30.70)	4.05 (102.94)
TCD11-1200S0	TCD-1200-S115ZZGN	1200:5	0.5% 25.0VA	1.56 (39.62)	3.56 (90.42)	1.20 (30.70)	4.05 (102.94)

TCD12-50S0	TCD-50-S215ZZIH	50:5	3% 2.5VA	2.52 (64.26)	4.39 (111.60)	1.20 (30.70)	4.96 (126.00)
TCD12-75S0	TCD-75-S215ZZIH	75:5	3% 2.5VA	2.52 (64.26)	4.39 (111.60)	1.20 (30.70)	4.96 (126.00)
TCD12-100S0	TCD-100-S215ZZIH	100:5	3% 2.5VA	2.52 (64.26)	4.39 (111.60)	1.20 (30.70)	4.96 (126.00)
TCD12-150S0	TCD-150-S215ZZHH	150:5	1% 2.5VA	2.52 (64.26)	4.39 (111.60)	1.20 (30.70)	4.96 (126.00)
TCD12-200S0	TCD-200-S215ZZHH	200:5	1% 2.5VA	2.52 (64.26)	4.39 (111.60)	1.20 (30.70)	4.96 (126.00)

NOTA: ESTAS DIMENSIONES PUEDEN TENER VARIACIONES DE ± 2mm.

NOTE: THESE DIMENSIONS COULD HAVE VARIATIONS OF ± 2mm.

EQUIPOS ELECTRICOS CORE SE RESERVA EL DERECHO DE MODIFICAR ESTA INFORMACION SIN PREVIO AVISO.

EQUIPOS ELECTRICOS CORE RESERVES THE RIGHT OF MODIFYING THIS INFORMATION WITHOUT A PREVIOUS NOTIFICATION

JULIO 2024 REV. 22.

PIT-01



TRANSFORMADOR DE CORRIENTE / CURRENT TRANSFORMER

SERIE / SERIES "TCD-1" IEC 61869-2

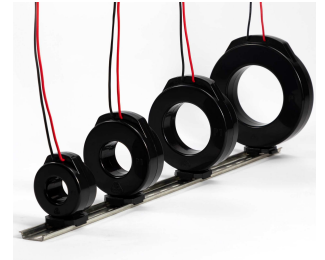
CARACTERÍSTICAS / FEATURES

APLICACIONES PARA PROTECCIÓN Y MEDICIÓN DE CORRIENTES / FOR RELAYING AND CURRENT METERING APPLICATIONS
 TIPO DE AISLAMIENTO/ INSULATION TYPE

ABS COLOR NEGRO UL.No.E121562
 ABS BLACK COLOUR, UL FILE: E121562

NORMA DE APLICACIÓN / STANDARD
 CLASE NOMINAL DE AISLAMIENTO / RATED SYSTEM VOLTAGE
 FRECUENCIA / FREQUENCY
 NIVEL BASICO DE IMPULSO/ B.I.L.
 SERVICIO / SERVICE
 CORRIENTE TÉRMICA DE C.C. 1seg. / THERMAL CURRENT RATING 1sec. (lth)
 CORRIENTE DINÁMICA DE C.C. / DYNAMIC CURRENT RATING

IEC 61869-2
 0.72 kV
 50 - 60 Hz
 N/A
 5A
 50 x ln
 2.5 x lth



CARACTERÍSTICAS TÉCNICAS / TECHNICAL FEATURES

TCD12-250S0	TCD-250-S215ZZHI	250:5	1%	5.0VA	2.52 (64.26)	4.39 (111.60)	1.20 (30.70)	4.96 (126.00)
TCD12-300S0	TCD-300-S215ZZHI	300:5	1%	5.0VA	2.52 (64.26)	4.39 (111.60)	1.20 (30.70)	4.96 (126.00)
TCD12-400S0	TCD-400-S215ZZHI	400:5	1%	5.0VA	2.52 (64.26)	4.39 (111.60)	1.20 (30.70)	4.96 (126.00)
TCD12-500S0	TCD-500-S215ZZHI	500:5	1%	5.0VA	2.52 (64.26)	4.39 (111.60)	1.20 (30.70)	4.96 (126.00)
TCD12-600S0	TCD-600-S215ZZHK	600:5	1%	12.5VA	2.52 (64.26)	4.39 (111.60)	1.20 (30.70)	4.96 (126.00)
TCD12-750S0	TCD-750-S215ZZHK	750:5	1%	12.5VA	2.52 (64.26)	4.39 (111.60)	1.20 (30.70)	4.96 (126.00)
TCD12-800S0	TCD-800-S215ZZHN	800:5	1%	25.0VA	2.52 (64.26)	4.39 (111.60)	1.20 (30.70)	4.96 (126.00)
TCD12-1000S0	TCD-1000-S215ZZGN	1000:5	0.5%	25.0VA	2.52 (64.26)	4.39 (111.60)	1.20 (30.70)	4.96 (126.00)
TCD12-1200S0	TCD-1200-S215ZZGN	1200:5	0.5%	25.0VA	2.52 (64.26)	4.39 (111.60)	1.20 (30.70)	4.96 (126.00)
TCD12-1250S0	TCD-1250-S215ZZGN	1250:5	0.5%	25.0VA	2.52 (64.26)	4.39 (111.60)	1.20 (30.70)	4.96 (126.00)
TCD12-1500S0	TCD-1500-S215ZZGP	1500:5	0.5%	50.0VA	2.52 (64.26)	4.39 (111.60)	1.20 (30.70)	4.96 (126.00)
TCD12-1600S0	TCD-1600-S215ZZGP	1600:5	0.5%	50.0VA	2.52 (64.26)	4.39 (111.60)	1.20 (30.70)	4.96 (126.00)
TCD12-2000S0	TCD-2000-S215ZZGP	2000:5	0.5%	50.0VA	2.52 (64.26)	4.39 (111.60)	1.20 (30.70)	4.96 (126.00)
TCD12-2500S0	TCD-2500-S215ZZGP	2500:5	0.5%	50.0VA	2.52 (64.26)	4.39 (111.60)	1.20 (30.70)	4.96 (126.00)

TCD13-50S0	TCD-50-S315ZZJH	50:5	5%	2.5VA	3.25 (82.55)	5.75 (146.00)	1.22 (30.70)	6.30 (160.09)
TCD13-100S0	TCD-100-S315ZZJH	100:5	5%	2.5VA	3.25 (82.55)	5.75 (146.00)	1.22 (30.70)	6.30 (160.09)
TCD13-150S0	TCD-150-S315ZZJH	150:5	5%	2.5VA	3.25 (82.55)	5.75 (146.00)	1.22 (30.70)	6.30 (160.09)
TCD13-200S0	TCD-200-S315ZZIH	200:5	3%	2.5VA	3.25 (82.55)	5.75 (146.00)	1.22 (30.70)	6.30 (160.09)
TCD13-250S0	TCD-250-S315ZZII	250:5	3%	5.0VA	3.25 (82.55)	5.75 (146.00)	1.22 (30.70)	6.30 (160.09)
TCD13-300S0	TCD-300-S315ZZII	300:5	3%	5.0VA	3.25 (82.55)	5.75 (146.00)	1.22 (30.70)	6.30 (160.09)
TCD13-350S0	TCD-350-S315ZZII	350:5	3%	5.0VA	3.25 (82.55)	5.75 (146.00)	1.22 (30.70)	6.30 (160.09)
TCD13-400S0	TCD-400-S315ZZJH	400:5	3%	5.0VA	3.25 (82.55)	5.75 (146.00)	1.22 (30.70)	6.30 (160.09)
TCD13-500S0	TCD-500-S315ZZHI	500:5	1%	5.0VA	3.25 (82.55)	5.75 (146.00)	1.22 (30.70)	6.30 (160.09)
TCD13-600S0	TCD-600-S315ZZJH	600:5	1%	5.0VA	3.25 (82.55)	5.75 (146.00)	1.22 (30.70)	6.30 (160.09)
TCD13-750S0	TCD-750-S315ZZII	750:5	1%	5.0VA	3.25 (82.55)	5.75 (146.00)	1.22 (30.70)	6.30 (160.09)
TCD13-800S0	TCD-800-S315ZZII	800:5	1%	5.0VA	3.25 (82.55)	5.75 (146.00)	1.22 (30.70)	6.30 (160.09)
TCD13-1000S0	TCD-1000-S315ZZHK	1000:5	1%	12.5VA	3.25 (82.55)	5.75 (146.00)	1.22 (30.70)	6.30 (160.09)
TCD13-1200S0	TCD-1200-S315ZZHN	1200:5	1%	25.0VA	3.25 (82.55)	5.75 (146.00)	1.22 (30.70)	6.30 (160.09)
TCD13-1250S0	TCD-1250-S315ZZHN	1250:5	1%	25.0VA	3.25 (82.55)	5.75 (146.00)	1.22 (30.70)	6.30 (160.09)
TCD13-1500S0	TCD-1500-S315ZZGN	1500:5	0.5%	25.0VA	3.25 (82.55)	5.75 (146.00)	1.22 (30.70)	6.30 (160.09)
TCD13-1600S0	TCD-1600-S315ZZGN	1600:5	0.5%	25.0VA	3.25 (82.55)	5.75 (146.00)	1.22 (30.70)	6.30 (160.09)
TCD13-2000S0	TCD-2000-S315ZZGP	2000:5	0.5%	50.0VA	3.25 (82.55)	5.75 (146.00)	1.22 (30.70)	6.30 (160.09)
TCD13-2500S0	TCD-2500-S315ZZGP	2500:5	0.5%	50.0VA	3.25 (82.55)	5.75 (146.00)	1.22 (30.70)	6.30 (160.09)

NOTA: ESTAS DIMENSIONES PUEDEN TENER VARIACIONES DE ± 2mm.

NOTE: THESE DIMENSIONS COULD HAVE VARIATIONS OF ± 2mm.

EQUIPOS ELECTRICOS CORE SE RESERVA EL DERECHO DE MODIFICAR ESTA INFORMACION SIN PREVIO AVISO.

EQUIPOS ELECTRICOS CORE RESERVES THE RIGHT OF MODIFYING THIS INFORMATION WITHOUT A PREVIOUS NOTIFICATION

JULIO 2024 REV. 22.

PIT-01

HOJA 2 DE 3 / SHEET 2 OF 3

E-CT-TCD-1-E-00

FIT-34

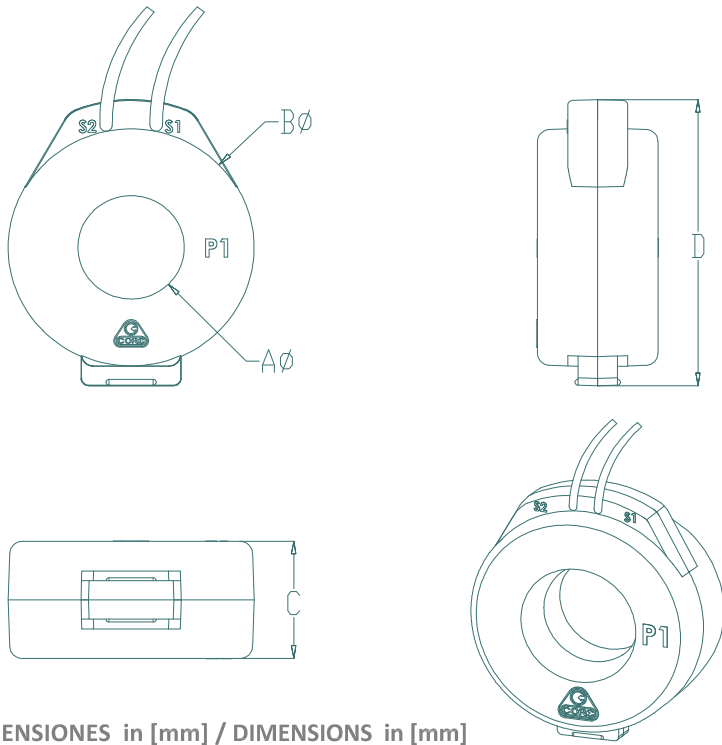


TRANSFORMADOR DE CORRIENTE / CURRENT TRANSFORMER

SERIE / SERIES "TCD-1" IEC 61869-2

TCD13-3200S0	TCD-3200-S315ZZFP	3200:5	0.2%	50.0VA	3.25 (82.55)	5.75 (146.00)	1.22 (30.70)	6.30 (160.09)
TCD13-3500S0	TCD-3500S315ZZFP	3500:5	0.2%	50.0VA	3.25 (82.55)	5.75 (146.00)	1.22 (30.70)	6.30 (160.09)
TCD13-4000S0	TCD-4000-S315ZZFP	4000:5	0.2%	50.0VA	3.25 (82.55)	5.75 (146.00)	1.22 (30.70)	6.30 (160.09)

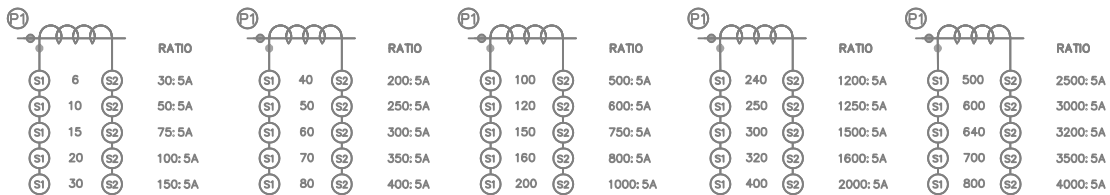
RELACIÓN SENCILLA / SINGLE RATIO



DIMENSIONES in [mm] / DIMENSIONS in [mm]

NOTA: TERMINAL S1 CON CABLE TF-LS CAL. 16AWG ROJO 7 HILOS 25CM. DE LONGITUD.
 TERMINAL S2 CON CABLE TF-LS CAL. 16AWG NEGRO 7 HILOS 25CM. DE LONGITUD.

CONEXIONES DE RELACIÓN-SENCILLA / SINGLE-RATIO CONNECTIONS



NOTA: ESTAS DIMENSIONES PUEDEN TENER VARIACIONES DE ± 2mm.
 NOTE: THESE DIMENSIONS COULD HAVE VARIATIONS OF ± 2mm.
 EQUIPOS ELECTRICOS CORE SE RESERVA EL DERECHO DE MODIFICAR ESTA INFORMACION SIN PREVIO AVISO.
 EQUIPOS ELECTRICOS CORE RESERVES THE RIGHT OF MODIFYING THIS INFORMATION WITHOUT A PREVIOUS NOTIFICATION
 JULIO 2024 REV. 22. PIT-01